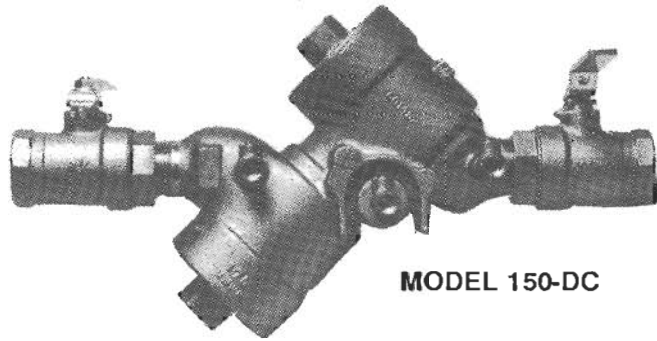


# *Buckner*<sup>®</sup> Product Index

---

24100 Series DC	3/4" to 2"	Double check backflow preventer. Call for availability of parts.
24000 Series RP	3/4" to 2"	Reduced pressure backflow preventer. Call for availability of parts.
24200 Series PVB	1/2" to 2"	Pressure vacuum breaker backflow preventer. Call for availability of parts.





MODEL 150-DC



## 24100 Series Double Check Backflow Preventer 3/4" to 2"

### APPLICATION AND DESCRIPTION

The 24100 Series Double Check device prevents backflow of water in low hazard applications. It consists of two independently operating check valves with shutoff valves and test cocks. They protect against back-siphonage and backpressure. Used in irrigation systems, fire protection systems, industrial plant protection, and other non-toxic applications.

### FEATURES AND BENEFITS

- Certification by USC Foundation for Cross Connection Control and Hydraulic Research, ASSE, AWWA, IAPMO, and City of New York.
- Optional replaceable brass valve seats for improved serviceability.
- Spring loaded Y check valves reduce friction loss.
- All internal parts are easily serviceable without removing the valve body.
- Available with or without resilient seated ball valves.
- Operates when installed in any position.
- Pressure rated to 175 psi and hydrostatically tested to 350 psi.
- Temperature rated to 180 degrees F.
- Corrosion resistant internal parts.
- All test cocks are blowout resistant.

### OPTIONS

- Without ball valves -NBV (/60)
- BSPT without ball valves -BSPT-NBV (/55)
- Replaceable brass seats -RS (/25)

### PERFORMANCE

CAT. NO.	MODEL NO.	SIZE NPT	FLOW IN GPM														
			5	10	15	20	30	40	50	60	70	80	100	120	150	170	200
24100	075-DC	3/4"	4.0	4.1	4.2	4.6	6.1	--	--	--	--	--	--	--	--	--	--
24101	100-DC	1"	--	4.0	4.1	4.1	4.3	5.0	6.8	9.9	--	--	--	--	--	--	--
24102	125-DC	1 1/4"	--	--	4.0	4.0	4.1	4.6	5.3	6.8	8.9	--	--	--	--	--	--
24103	150-DC	1 1/2"	--	--	--	4.0	4.0	4.1	4.2	4.3	4.5	4.8	4.8	5.1	--	--	--
24104	200-DC	2"	--	--	--	--	--	3.5	3.5	3.5	3.5	3.5	3.7	4.4	6.6	7.8	11.8

### MODEL DESCRIPTIONS

MODEL NO.	SIZE NPT	DIMENSIONS - inches		
		Height	Width	Length
075-DC	3/4"	7 3/8"	4"	12 1/4"
100-DC	1"	7 3/8"	4"	12 1/4"
125-DC	1 1/4"	9 1/4"	5 1/2"	17 1/4"
150-DC	1 1/2"	9 1/4"	5 1/2"	17 1/4"
200-DC	2"	9 1/4"	5 1/2"	18 1/2"



### HOW TO SPECIFY

## 1 2 5 - D C - R S

↑                    ↑                    ↑

SIZE                    TYPE                    OPTION

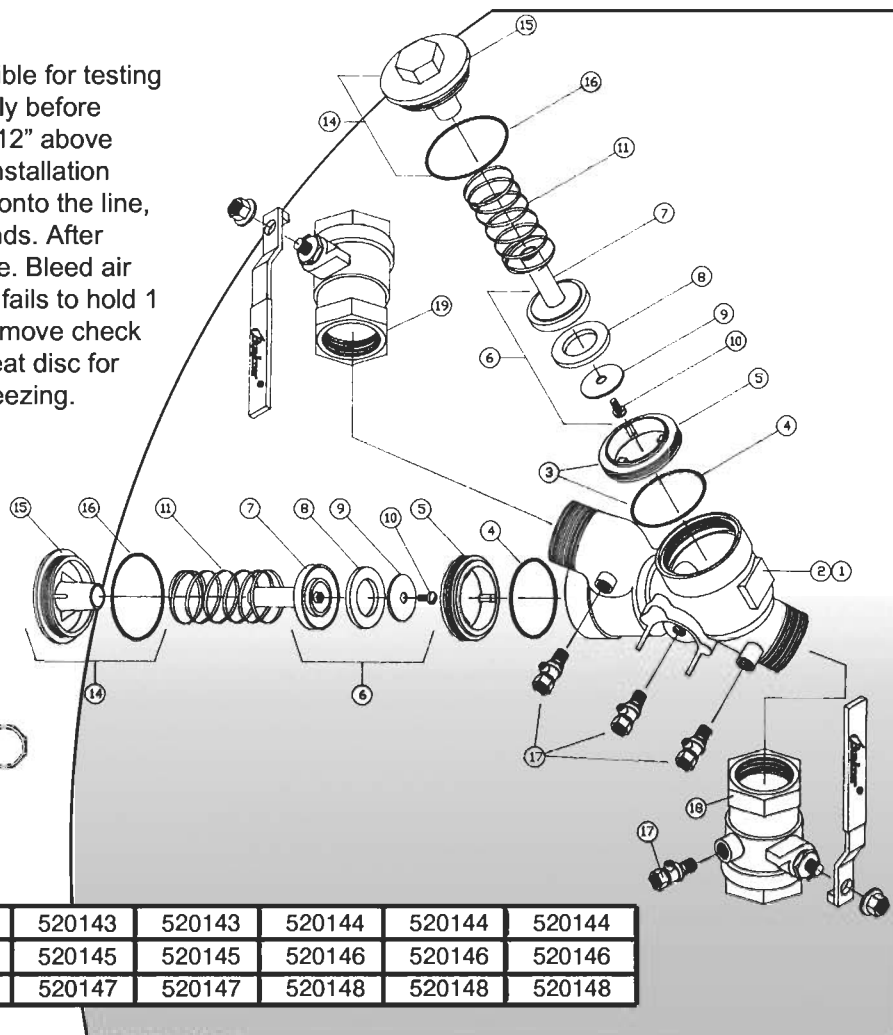
This specifies a 1 1/4" double check backflow preventer with replaceable seats.

### MATERIALS

Body: cast brass  
 Internal assemblies: engineered polymer check valves  
 Guides: engineered polymer  
 Springs: stainless steel  
 Rubber seats: Buna-A or EPDM

# INSTALLATION

Assembly must be installed where accessible for testing and maintenance. Flush pipeline thoroughly before installation. Assembly should be installed 12" above grade (30" max). Consult local codes for installation requirements. When threading the device onto the line, place wrench only on the ball valve hex ends. After install, open the inlet ball valve to fill device. Bleed air from unit via the test cocks. If check valve fails to hold 1 PSI, close ball valves, bleed test cocks, remove check valve bonnet and check the seat and/or seat disc for fouling. Device must be protected from freezing.



## SERVICE KITS

Check Valve Rubber Kit (#8 & 16, 2 of each)	520143	520143	520144	520144	520144
Check Valve Kit (#6 & 16)	520145	520145	520146	520146	520146
Ring Seal Kit (#4 & 5)	520147	520147	520148	520148	520148

## Commercially Available Parts for Series 24000 Valves

ITEM	DESCRIPTION	MATERIAL	3/4"	1"	1 1/4"	1 1/2"	2"
4	O-Ring	BUNA-N	AS568-127	AS568-127	AS568-144	AS568-144	AS568-144
10	Screw	St. Steel	1/4-20 x 3/8" Truss Head	1/4-20 x 3/8" Truss Head	1/4-20 x 3/8" Truss Head	1/4-20 x 3/8" Truss Head	1/4-20 x 3/8" Truss Head
16	O-Ring	BUNA-N	AS568-226	AS568-226	AS568-236	AS568-236	AS568-236

NOTE: The above listed parts in addition to non-listed items such as ball valves, test cocks, flange gaskets, etc. are commercially available through most hardware distributors or retailers.

## Parts Listing

ITEM	DESCRIPTION	QTY.	3/4" 24100	1" 24101	1 1/4" 24102	1 1/2" 24103	2" 24104
1	Body Assembly, Check Valve - Includes:	1	—	—	—	—	—
2	Body	1	501553	501554	501555	501556	501557
3	Replaceable Ring Seal*	2	—	—	—	—	—
4	Seal, O-ring	1	—	—	—	—	—
5	Seat, Replaceable	1	—	—	—	—	—
6	Poppet Seat Assembly - Includes:	2	—	—	—	—	—
7	Poppet	1	—	—	—	—	—
8	Seat Disc	1	—	—	—	—	—
9	Washer	1	—	—	—	—	—
10	Screw	1	—	—	—	—	—
11	Spring	2	501448	501448	501436	501436	501436
14	Bonnet Assembly - Incl.	2	510725	510725	510685	510685	510685
15	Bonnet	2	—	—	—	—	—
16	Seal, O-ring	2	—	—	—	—	—
17	Test Cock	4	611901	611901	611900	611900	611900
18	Valve Assembly, Ball Upstream	1	510648	510726	510755	510757	510759
19	Valve Assembly, Ball Downstream (Whole Goods)	1	22080	22081	22082	22083	22084

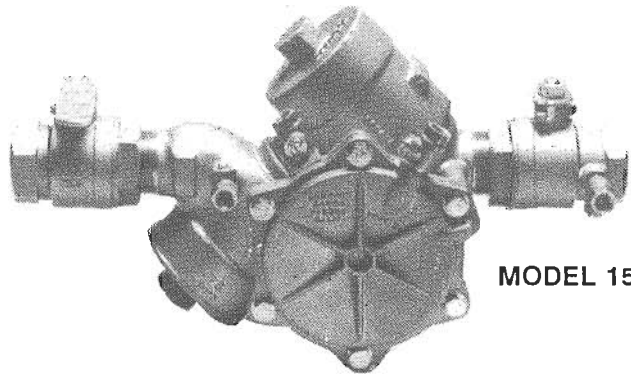
**American Backflow Specialties**

www.americanbackflow.com

(800) 66-BKFLO

(619) 527-2525

Fax: (619) 527-2527



MODEL 150-RP



## 24000 Series Reduced Pressure Backflow Preventer 3/4" to 2"

### APPLICATION AND DESCRIPTION

The 24000 Series Reduced Pressure device prevents backflow of water in high hazard applications. It consists of two spring loaded check valves with a differential pressure valve situated between the check valves. These valves are used in irrigation systems, water service to industrial plants, hospitals, morgues, mortuaries, chemical plants, wells used for chemical or fertilizer injection, and other toxic applications.

### FEATURES AND BENEFITS

- Certification by USC Foundation for Cross Connection Control and Hydraulic Research. ASSE, AWWA, IAPMO, and City of New York.
- Optional replaceable brass valve seats for improved serviceability.
- Spring loaded Y check valves reduce friction loss.
- All internal parts are easily serviceable without removing the valve body.
- Internal sensing passages for relief valve, eliminating the damage that occurs to external tubing.
- Pressure rated to 175 psi and hydrostatically tested to 350 psi.
- Temperature rated to 180 degrees F.
- Corrosion resistant internal parts.
- All test cocks are blowout resistant.

### OPTIONS

- Without ball valves -NBV (/60)
- BSPT without ball valves -BSPT-NBV (/55)
- Replaceable brass seats -RS (/25)

### PERFORMANCE

CAT. NO.	MODEL NO.	SIZE NPT	FLOW IN GPM														
			5	10	15	20	30	40	50	60	70	80	100	120	150	170	180
24000	075-RP	3/4"	10.2	9.1	9.1	9.2	11.6	--	--	--	--	--	--	--	--	--	--
24001	100-RP	1"	--	9.1	9.0	9.0	9.2	10.0	11.4	13.7	--	--	--	--	--	--	--
24002	125-RP	1 1/4"	--	--	9.0	9.0	9.1	9.3	9.5	10.1	10.4	12.4	--	--	--	--	--
24003	150-RP	1 1/2"	--	--	--	--	9.1	9.0	9.0	9.0	9.0	9.2	10.0	11.6	--	--	--
24004	200-RP	2"	--	--	--	--	--	9.0	9.0	9.0	9.0	9.1	9.1	9.7	11.3	12.8	16.0

### HOW TO SPECIFY

**1 2 5 - R P - R S**

↑                    ↑                    ↑  
SIZE                TYPE                OPTION

This specifies a 1 1/4" reduced pressure backflow preventer with replaceable seats.



### MODEL DESCRIPTIONS

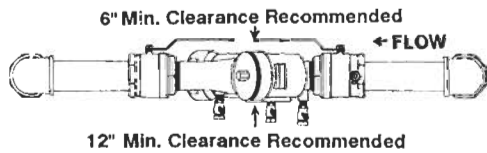
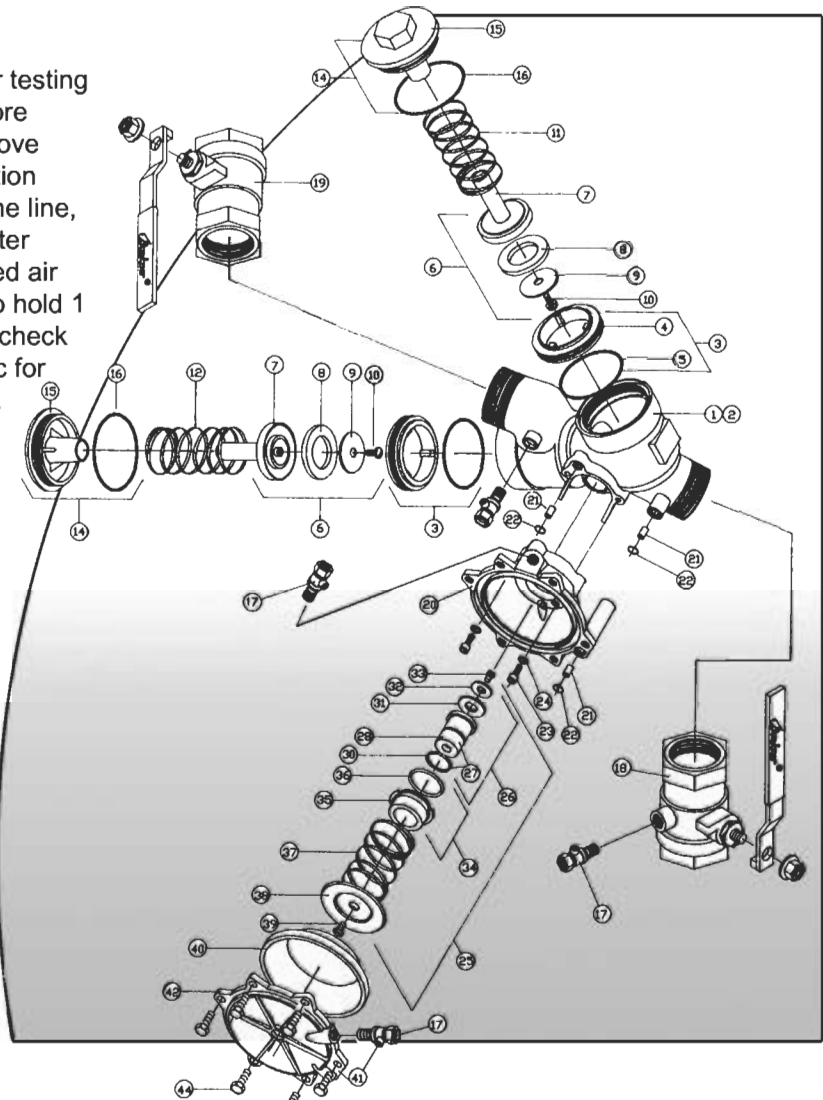
CATALOG NO.	MODEL NO.	SIZE NPT	DIMENSIONS - inches		
			Height	Width	Length
24000	075-RP	3/4"	7 3/8"	4"	12 1/4"
24001	100-RP	1"	7 3/8"	4"	12 1/4"
24002	125-RP	1 1/4"	9 1/4"	5 1/2"	17 1/4"
24003	150-RP	1 1/2"	9 1/4"	5 1/2"	17 1/4"
24004	200-RP	2"	9 1/4"	5 1/2"	18 1/2"

### MATERIALS

Body: cast brass  
Internal assemblies: engineered polymer check valves  
Guides: engineered polymer  
Springs: stainless steel  
Rubber seats: Buna-A or EPDM

# INSTALLATION

Assembly must be installed where accessible for testing and maintenance. Flush pipeline thoroughly before installation. Assembly should be installed 12" above grade (30" max). Consult local codes for installation requirements. When threading the device onto the line, place wrench only on the ball valve hex ends. After install, open the inlet ball valve to fill device. Bleed air from unit via the test cocks. If check valve fails to hold 1 PSI, close ball valves, bleed test cocks, remove check valve bonnet and check the seat and/or seat disc for fouling. Device must be protected from freezing.



## SERVICE KITS

	3/4"	1"	1-1/4"	1-1/2"	2"
Check Valve Rubber Kit (#8 & 16)	520143	520143	520144	520144	520144
Relief Valve Repair Kit (#22-3, 24-2, 30, 31, 36, & 40)	520149	520149	520150	520150	520150
Check Valve Kit (#6-2, 16-2, 11, & 12)	520151	520151	520152	520152	520152
Ring Seal Kit (#3)*	520147	520147	520148	520148	520148
Relief Valve Kit (#21-3, 22-3, 24-2, 25, & 40)	520153	520153	520154	520154	520154

## Commercially Available Parts for Series 24000 Valves

ITEM	DESCRIPTION	MATERIAL	3/4"	1"	1 1/4"	1 1/2"	2"
5	O-Ring	BUNA-N	AS568-127	AS568-127	AS568-144	AS568-144	AS568-144
10	Screw	St. Steel	1/4-20 x 3/8" Truss Head	1/4-20 x 3/8" Truss Head	1/4-20 x 3/8" Truss Head	1/4-20 x 3/8" Truss Head	1/4-20 x 3/8" Truss Head
16	O-Ring	BUNA-N	AS568-226	AS568-226	AS568-236	AS568-236	AS568-236
22	O-Ring	BUNA-N	AS568-108	AS568-108	AS568-108	AS568-108	AS568-108
23	Capscrew	St. Steel	1/4-20 x 5/8" Allen Head	1/4-20 x 5/8" Allen Head	5/16-18 x 3/4" Allen Head	5/16-18 x 3/4" Allen Head	5/16-18 x 3/4" Allen Head
30	O-Ring	BUNA-N	AS568-113	AS568-113	AS568-120	AS568-120	AS568-120
33	Screw	St. Steel	1/4-20 x 3/8" Truss Head	1/4-20 x 3/8" Truss Head	1/4-20 x 3/8" Truss Head	1/4-20 x 3/8" Truss Head	1/4-20 x 3/8" Truss Head
36	O-Ring	BUNA-N	AS568-022	AS568-022	AS568-127	AS568-127	AS568-127
39	Screw	St. Steel	1/4-20 x 5/8" Slotted, Counter-sunk Head	1/4-20 x 5/8" Slotted, Counter-sunk Head	1/4-20 x 5/8" Slotted, Counter-sunk Head	1/4-20 x 5/8" Slotted, Counter-sunk Head	1/4-20 x 5/8" Slotted, Counter-sunk Head
44	Bolt	St. Steel	5/16-18 x 3/4" Hex Head	5/16-18 x 3/4" Hex Head	3/8-16 x 7/8" Hex Head	3/8-16 x 7/8" Hex Head	3/8-16 x 7/8" Hex Head

**American Backflow Specialties**

www.americanbackflow.com

(800) 66-BKFLO

(619) 527-2525

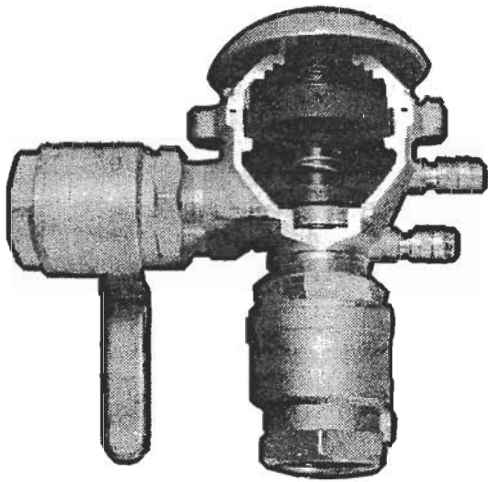
Fax: (619) 527-2527

## RP Series 24000 Replacement Parts



ITEM	DESCRIPTION	QTY.	¾" 24000	1" 24001	1¼" 24002	1½" 24003	2" 24004
1	Body Assembly, Check Valve - Includes:	1	510682	510686	510645	510644	510681
2	Body	1	501372	501373	501492	501414	501371
3	Replaceable Ring Seal Assembly*	2	510687	510687	510683	510683	510683
4	Seat, Replaceable	1	501383	501383	501374	501374	501374
5	Seal, O-ring	1	630130	630130	630126	630126	630126
6	Poppet Seat Assembly, - Includes:	2	510689	510689	510684	510684	510684
7	Poppet	1	501482	501482	501377	501377	501377
8	Seat Disc	1	501384	501384	501469	501469	501469
9	Washer	1	501496	501496	501486	501486	501486
10	Screw	1	602093	602093	602093	602093	602093
11	Spring, Upstream	1	501410	501410	501437	501437	501437
12	Spring, Downstream	1	501448	501448	501436	501436	501436
14	Bonnet Assembly, - Includes:	2	510725	510725	510685	510685	510685
15	Bonnet	2	501378	501378	501375	501375	501375
16	Seal, O-ring	2	630127	630127	630019	630019	630019
17	Test Cock	4	611901	611901	611900	611900	611900
18	Valve Assembly, Ball Upstream	1	510648	510726	510755	510757	510759
19	Valve Assembly, Ball Downstream	1	510649	510727	510756	510758	510760
29	Body Assembly, Relief Valve - Includes:	1	510728	510728	510690	510690	510690
20	Body, Relief Valve	1	501349	501349	501379	501379	501379
21	Quil	3	501430	501430	501430	501430	501430
22	Seal, O-ring	3	630114	630114	630114	630114	630114
23	Screw, Socket Cap	2	602082	602082	602066	602066	602066
24	Washer, Nylon	2	641207	641207	641206	641206	641206
25	Relief valve Assembly, - Includes:	1	510729	510729	510691	510691	510691
26	Piston Seat Assembly, - Includes:	1	510732	510732	510692	510692	510692
27	Piston Seal Assembly	1	510733	510733	510693	510693	510693
28	Piston	1	501480	501480	501438	501438	501438
30	Seal, O-ring	1	630136	630136	630001	630001	630001
31	Seat Disc	1	501464	501464	501439	501439	501439
32	Washer	1	—	—	501440	501440	501440
33	Screw	1	602093	602093	602093	602093	602093
34	Cylinder Assembly	1	510730	510730	510694	510694	510694
35	Cylinder	1	501506	501506	501441	501441	501441
36	Seal, O-ring	1	630129	630129	630130	630130	630130
37	Spring	1	501507	501507	501442	501442	501442
38	Button	1	501487	501487	501443	501443	501443
39	Screw	1	602078	602078	602078	602078	602078
40	Diaphragm	1	501509	501509	501444	501444	501444
41	Bonnet Assembly, Relief Valve – Includes:	1	501731	501731	501695	501695	501695
42	Bonnet	1	501510	501510	501380	501380	501380
44	Screw, Cap	6	700018	700018	700117	700117	700117

\* Applies to units with optional replaceable bronze seats.



## 24200 Series Pressure Vacuum Breaker Backflow Preventer 1/2" to 2"

### APPLICATION AND DESCRIPTION

The 24200 series Pressure Vacuum Breaker device is designed to prevent backflow of contaminated water into the potable water supply where back pressure is not present. The vacuum breaker may be installed under continuous pressure conditions. Pressure vacuum breakers are generally installed on potable water systems where the possibility of contamination is present. These devices are used in lawn sprinkler systems, cooling towers, laboratories, laundries, swimming pools, and industrial plant applications. Consult your local codes prior to installing any backflow prevention device.

### FEATURES AND BENEFITS

- Bronze body for strength and durability.
- Certification in process by USC Foundation for Cross Connection Control and Hydraulic Research, ASSE, AWWA, IAPMO, City of New York and CSA.
- Replaceable bronze valve seats for improved serviceability.
- All internal parts are easily serviceable without removing the valve body.
- Pressure rated to 175 PSI and hydrostatically tested to 350 PSI.
- Temperature rated to 180 degrees F.
- All test cocks are blowout resistant.
- Minimum head loss design.
- Available with or without resilient seat ball valves.

### PERFORMANCE

CAT. NO.	MODEL NO.	SIZE NPT	HEAD LOSS (PSI)														
			5	10	15	20	30	40	50	60	70	80	100	120	150	170	180
24199	050-PVB	1/2"	2.6	4.4	7.0	--	--	--	--	--	--	--	--	--	--	--	--
24200	075-PVB	3/4"	2.8	3.3	3.8	4.5	6.5	--	--	--	--	--	--	--	--	--	--
24201	100-PVB	1"	--	2.5	2.8	3.1	4.0	4.8	5.8	6.7	--	--	--	--	--	--	--
24202	125-PVB	1 1/4"	--	--	2.0	2.1	2.5	2.9	3.4	3.8	4.3	5.0	--	--	--	--	--
24203	150-PVB	1 1/2"	--	--	--	2.0	2.2	2.5	2.8	2.9	3.1	3.6	4.5	5.3	--	--	--
24204	200-PVB	2"	--	--	--	--	--	2.5	2.6	2.7	2.8	3.1	3.5	3.9	4.8	5.7	6.1

### MODEL DESCRIPTIONS

MODEL NO.	SIZE NPT	DIMENSIONS - inches		
		Height	Width	Length
050-PVB	1/2"	6-1/2"	4"	6-3/4"
075-PVB	3/4"	6-3/4"	4"	7"
100-PVB	1"	8-1/2"	4"	9"
125-PVB	1 1/4"	10"	5-1/2"	10-1/2"
150-PVB	1 1/2"	10-1/4"	5-1/2"	10-3/4"
200-PVB	2"	10-3/4"	5-1/2"	11-1/4"

### HOW TO SPECIFY

**1 2 5 - P V B - R S**

↑                    ↑                    ↑  
SIZE                    TYPE                    OPTION

This specifies a 1 1/4" double check backflow preventer with replaceable seats.

### OPTIONS

Without ball valves (/60)

BSPT without ball valves (/55)

### MATERIALS

Body: cast brass

Internal assemblies: engineered polymer

Vent poppet: engineered polymer

Check valve: engineered polymer

Guides: engineered polymer

Springs: stainless steel

Rubber seats: Buna-A or EPDM

**American Backflow Specialties**

[www.americanbackflow.com](http://www.americanbackflow.com)

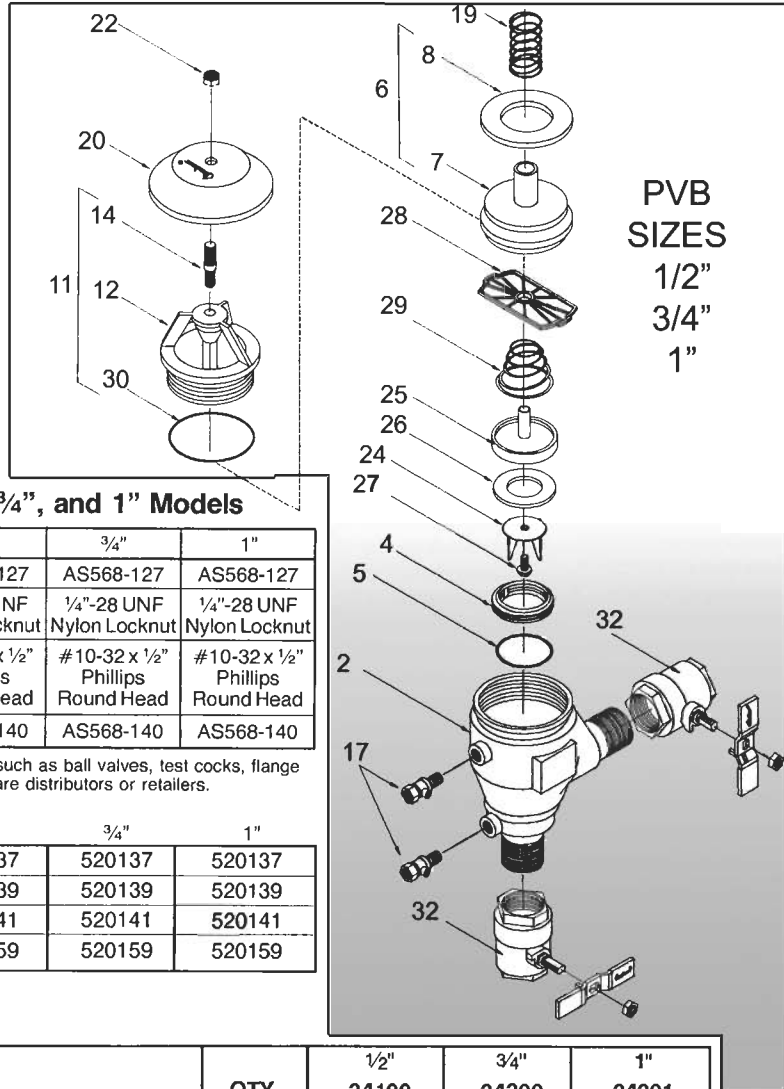
(800) 66-BKFLO

(619) 527-2525

Fax: (619) 527-2527

## INSTALLATION

The PVB must be installed where accessible for testing and maintenance. Flush pipeline thoroughly before installation. The air vent must be in the vertical position. Assembly should be installed 12" above highest outlet. Consult local codes for installation requirements. Install the PVB where spillage will not be objectionable. After install, open the inlet ball valve to pressurize. Slowly open the outlet ball valve to pressurize the line. If check valve fails to hold 1 PSI, the unit is foul and must be disassembled and cleaned. Device must be protected from freezing.



### Commercially Available Parts for 1/2", 3/4", and 1" Models

ITEM	DESCRIPTION	MATERIAL	1/2"	3/4"	1"
5	O-Ring	BUNA-N	AS568-127	AS568-127	AS568-127
22	Lock Nut	St. Steel	1/4"-28 UNF Nylon Locknut	1/4"-28 UNF Nylon Locknut	1/4"-28 UNF Nylon Locknut
27	Screw	St. Steel	#10-32 x 1/2" Phillips Round Head	#10-32 x 1/2" Phillips Round Head	#10-32 x 1/2" Phillips Round Head
30	O-ring	BUNA-N	AS568-140	AS568-140	AS568-140

NOTE: The above listed parts in addition to non-listed items such as ball valves, test cocks, flange gaskets, etc. are commercially available through most hardware distributors or retailers.

### SERVICE KITS

	1/2"	3/4"	1"
Rubber Kit (#5, 8, 26, & 30)	520137	520137	520137
Check Valve Kit (#23 & 28)	520139	520139	520139
Canopy Kit (#20 & 22)	520141	520141	520141
P.V.B. Bonnet Kit (#12, 14, & 30)	520159	520159	520159

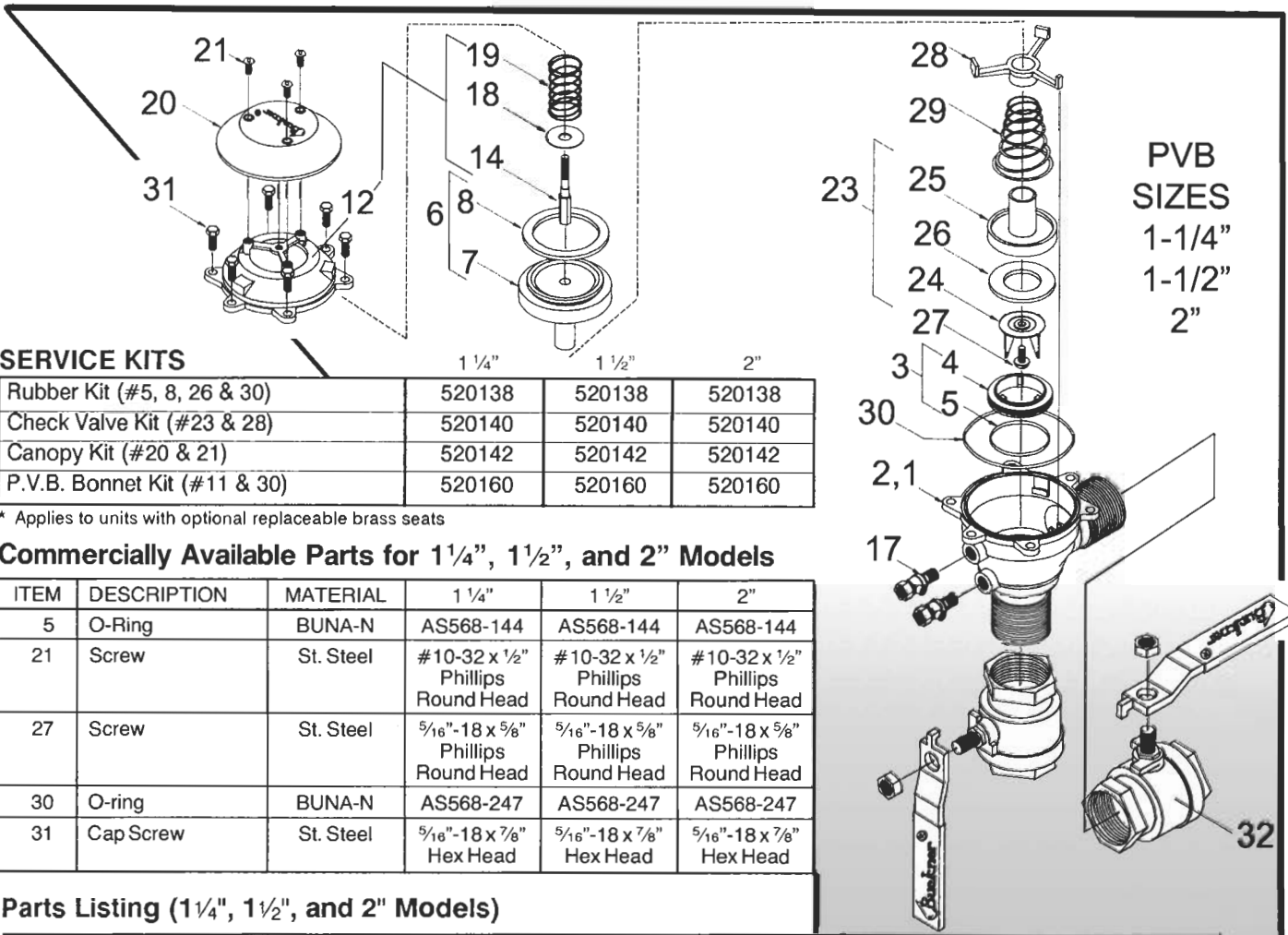
\* Applies to units with optional replaceable brass seats

### Parts Listing (1/2", 3/4", and 1" Models)

ITEM	DESCRIPTION	QTY.	1/2" 24199	3/4" 24200	1" 24201
1	Body Assembly - Includes:	1	—	—	—
2	Body	1	501624	501513	501514
17	Test Cock	2	611901	611901	611901
3	Replaceable Ring Seal Assembly* - Includes:	1	510743	510743	510743
4	Seat, Replaceable	1	—	—	—
5	Seal, O-ring	1	—	—	—
6	Poppet Seat Assembly, Air Inlet - Includes:	1	510745	510745	510745
7	Poppet	1	—	—	—
8	Seat Disc	1	—	—	—
11	Bonnet Assembly - Includes:	1	—	—	—
12	Bonnet	1	—	—	—
14	Stem, Guide	1	—	—	—
30	Seal, O-ring - Bonnet	1	—	—	—
19	Spring, Poppet	1	501524	501524	501524
20	Canopy	1	501525	501525	501525
22	Nut, Lock	1	600069	600069	600069
23	Guide Assembly, Check Valve - Includes:	1	510744	510744	510744
24	Guide	1	—	—	—
25	Valve	1	—	—	—
26	Seat Disc	1	—	—	—
27	Screw	1	—	—	—
28	Retainer, Spring	1	501613	501613	501613
29	Spring, Check	1	501519	501519	501519
32	Ball Valve Assembly	2	22079	22080	22081







**SERVICE KITS**

Rubber Kit (#5, 8, 26 & 30)	520138	520138	520138
Check Valve Kit (#23 & 28)	520140	520140	520140
Canopy Kit (#20 & 21)	520142	520142	520142
P.V.B. Bonnet Kit (#11 & 30)	520160	520160	520160

\* Applies to units with optional replaceable brass seats

**Commercially Available Parts for 1 1/4", 1 1/2", and 2" Models**

ITEM	DESCRIPTION	MATERIAL	1 1/4"	1 1/2"	2"
5	O-Ring	BUNA-N	AS568-144	AS568-144	AS568-144
21	Screw	St. Steel	#10-32 x 1/2" Phillips Round Head	#10-32 x 1/2" Phillips Round Head	#10-32 x 1/2" Phillips Round Head
27	Screw	St. Steel	5/16"-18 x 5/8" Phillips Round Head	5/16"-18 x 5/8" Phillips Round Head	5/16"-18 x 5/8" Phillips Round Head
30	O-ring	BUNA-N	AS568-247	AS568-247	AS568-247
31	Cap Screw	St. Steel	5/16"-18 x 7/8" Hex Head	5/16"-18 x 7/8" Hex Head	5/16"-18 x 7/8" Hex Head

**Parts Listing (1 1/4", 1 1/2", and 2" Models)**

ITEM	DESCRIPTION	QTY	1 1/4" 24202	1 1/2" 24203	2" 24204
1	Body Assembly - Includes:	1	—	—	—
2	Body	1	501503	501431	501432
17	Test Cock	2	611900	611900	611900
3	Replaceable Ring Seal Assembly* - Includes:	1	510735	510735	510735
4	Seat, Replaceable	1	—	—	—
5	Seal, O-ring	1	—	—	—
6	Poppet Seat Assembly, Air Inlet - Includes:	1	510737	510737	510737
7	Poppet	1	—	—	—
8	Seat Disc	1	—	—	—
11	Bonnet Assembly - Includes:	1	510739	510739	510739
12	Bonnet	1	—	—	—
14	Stem, Guide	1	—	—	—
30	Seal, O-ring - Bonnet	1	630135	630135	630135
18	Washer	1	—	—	—
19	Spring, Poppet	1	—	—	—
31	Screw, Cap - Bonnet	6	602025	602025	602025
20	Canopy	1	501434	501434	501434
21	Screw, Canopy	3	602091	602091	602091
23	Guide Assembly, Check Valve - Includes:	1	—	—	—
24	Guide	1	—	—	—
25	Valve	1	—	—	—
26	Seat Disc	1	—	—	—
27	Screw	1	—	—	—
28	Retainer, Spring	1	501481	501481	501481
29	Spring, Check	1	501511	501511	501511
32	Ball Valve Assembly (T-handles on 1/2" - 1" only)	2	22082	22083	22084

**American Backflow Specialties**

www.americanbackflow.com

(800) 66-BKFLO

(619) 527-2525

Fax: (619) 527-2527