



Mid-West®

Model 830 Test Kit

3
Test
Equipment
&
Misc

FEATURES

- 4 1/2" round Dial (0-15 psid)
- +/- .2 P.S.I.D. Accuracy (Descending)
- 1-1/2" Round Dial Line Gauge (0-300 psid)
- Soft-Seated Needle Valves
- In-Line Hose Filters
- Double-Walled Carrying Case with Removable, Hinged Cover.

OVERVIEW

Mid-West Instrument Model 830 provides is capable of testing all brands of RPs, PVBs, and double check assemblies. It is capable of performing all known test procedures including those recommended by ASSE, AWWA, USC FCCCHR, and NEWWA.

This test kit features improvements developed over twenty years as the industry "standard," including filters on all hoses, a compartment for storing various adapter fittings and kit suspension chain, and a rugged, molded plastic carrying case with removable cover for ease of use.

Test procedures are laminated in clear plastic and stored in the lid of the test kit case.

SPECIFICATIONS

Gauge Type: Diaphragm Differential Pressure

Dial Size & Range: (4-1/2" 0-15 P.S.I.D. with a (1-1/2" Line Pressure Gauge 0-300 P.S.I.D.

Differential Pressure Accuracy +/- .2 P.S.I.D. (Descending)

Working Pressure 300 P.S.I.G.

Materials of Construction NOTE: Materials shown are standard. For optional materials, contact the local Mid-West Instrument representative.

Gauge Engineering Plastic Body, with E.P.D.M. Diaphragm & S.S. Internal Metal Parts

Valves Soft-Seated Brass

Tubing & Fittings Brass & Nylon

Hoses & End Fittings Neoprene jacket and liner. Schrader 1/4" Brass coupler

Case Polyethylene

Hose Length (Three) each 5' long (color coded). (One) each 4' long clear bleed tube

Filters Test kit is protected with 90 micron filters to minimize plugging with scale, sand, etc. Elements can be cleaned or replaced.

Adapter Fittings 3 sets of brass fittings provided for hookup to all standard size test cocks.

Temperature Limitations Maximum 150°F.

Freezing temperatures must be avoided.

Special Note: Test kit is capable of performing all known test procedures including those recommended by ASSE, AWWA, FCCC and HR-USC, and NEWWA.

Physical Dimensions 14-1/2" wide x 9" deep x 16" high (approximate)

Weight 14 lbs/6.4 kilos

Mid-West®

Model 844

Test Kit



FEATURES

- 4 1/2" round Dial (0-15 P.S.I.D.)
- +/- .2 P.S.I.D. Accuracy (Descending)
- 1-1/2" Round Dial Line Pressure Gauge
- Soft-Seated Needle Valves
- In Line Hose Filters
- Color Coded Valve Knobs and Hoses
- Laminated Test Procedures
- Designed to test the following Assemblies:
 - Reduced Pressure Principle (R.P.)
 - Double-Check Valve (D.C.)
 - Pressure Vacuum Breaker (P.V.B.)
 - Reduced Pressure Principle - Detector (R.P.D.A.)
 - Double-Check Detector (D.C.D.A.)

OVERVIEW

Mid-West Instrument Model 844 provides the capability for testing all brands of reduced pressure principle, pressure vacuum breaker, and double check valve backflow prevention assemblies. It is capable of performing all known test procedures including those recommended by ASSE, AWWA, USC FCCCHR, and NEWWA.

SPECIFICATIONS

Gauge Type	Diaphragm Differential Pressure
Dial Size & Range	(4-1/2" 0-15 P.S.I.D. with a (1-1/2" Line Pressure Gauge
Differential Pressure Accuracy	+/- .2 P.S.I.D. (Descending)
Working Pressure	200 P.S.I.G.
Gauge Body Model 844:	BRASS
Wetted Internals	EP Elastomers, Brass and 316 S. S. Metal Parts
Hoses & End Fittings	Neoprene jacket and liner. Schrader 1/4" Brass coupler
Carrying Case	Molded Plastic
Hose Length	(Three) each 5' long (color coded). (One) each 4' long clear bleed tube
Filters	90 Micron filters minimize pluggage. Elements can be cleaned/replaced.
Adapter Fittings	3 sets of brass fittings provided to hookup all standard size test cocks.
Temperature Limitations	Maximum 150°F. Freezing temperatures must be avoided.
Special Note:	Test kit is capable of performing all known test procedures including those recommended by ASSE, AWWA, FCCCHR-USC, and NEWWA.
Gauge Assembly Dimensions	7 1/4" wide x 3 1/2" deep x 7 2/3" high (approximate)
Weight:	6.5 lbs.

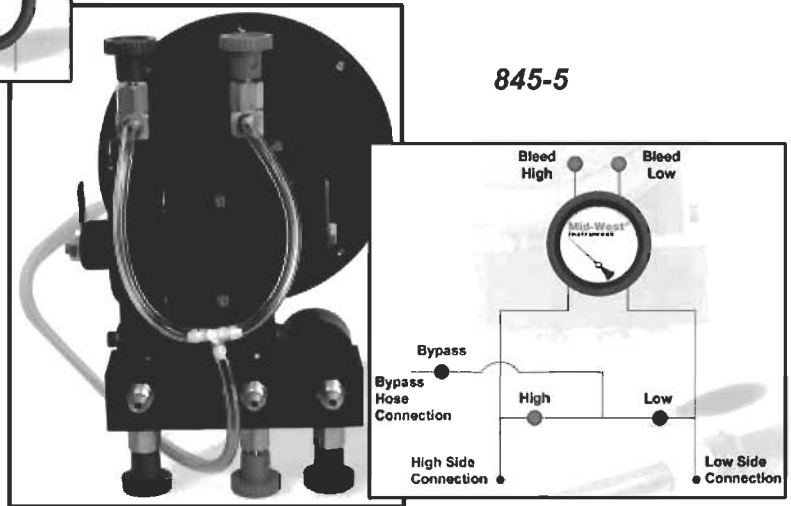
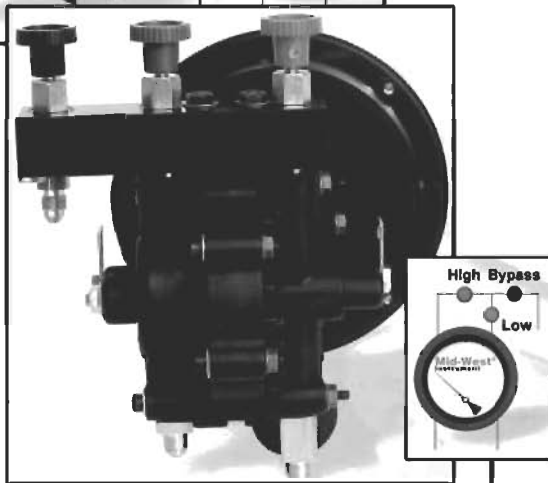
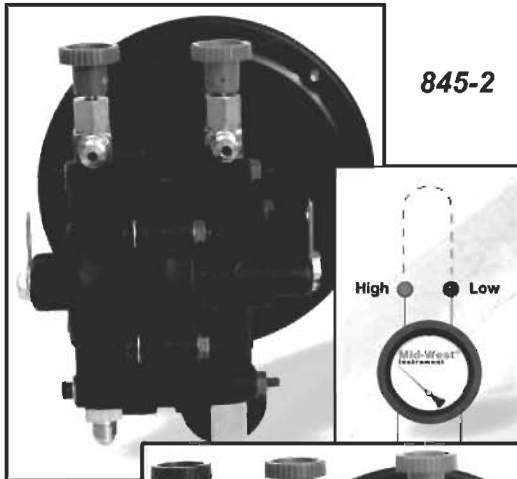
American Backflow Specialties

www.americanbackflow.com

(800) 66-BKFLO

(619) 527-2525

Fax: (619) 527-2527



Mid-West®

Model 845-2

Model 845-3

Model 845-5

Test Kits

3
Test
Equipment
&
Misc

DESCRIPTION

Mid-West's Model 830 has been the benchmark of the industry for decades. Constant input from field testers led to many design refinements and updated technology, and the creation of Model 845.

This new model features all the benefits you've come to expect from Mid-West kits and is available in 5-valve, 3-valve and 2-valve configurations. Model 845 also comes with a new spacious carrying case with external fitting/tool compartments.

ALL TEST KITS HAVE

- Soft Seated Needle Valves With Replaceable Seats
- Durable Carrying Case
- Laminated Test Procedures
- Line Pressure Gauge
- Adapter Fittings
- In Line Hose Filters - Field Serviceable

SPECIFICATIONS

Gauge Type	Diaphragm Differential Pressure
Gauge Dial Size & Range	4 1/2" 0-15 P.S.I.D./100 kPa DP Gauge with a 1 1/2" Line Pressure Gauge
Diff'l Pressure Accuracy	±0.2 P.S.I.D. (Descending)
Working Pressure	200 P.S.I.G.
Body Material	Glass Reinforced Engineering Thermoplastic
Wetted Internals	EP Elastomers, Brass and 316 S.S. Metal Parts (Nylon Tubing on 830)
Valves	Soft-Seated Needle with replaceable seats
Hoses & End Fittings	Nitrile jacket & liner, Schrader 1/4" brass coupler, inline field serviceable filters
Carrying Case	Durable Molded Plastic
Hose Length	Three each / 5' long (color coded).
Bleed Tube	One each / 4' long clear (845-5 and 830 only).
Filters	Test kit protected by 90 micron filters to minimize plugging with sand, etc. Elements can be cleaned or replaced.
Adapter Fittings	Three sets of brass fittings provided for hookup to all standard size test cocks.
Temperature Limitations	Maximum 150°F/65°C. FREEZING TEMPERATURES MUST BE AVOIDED!