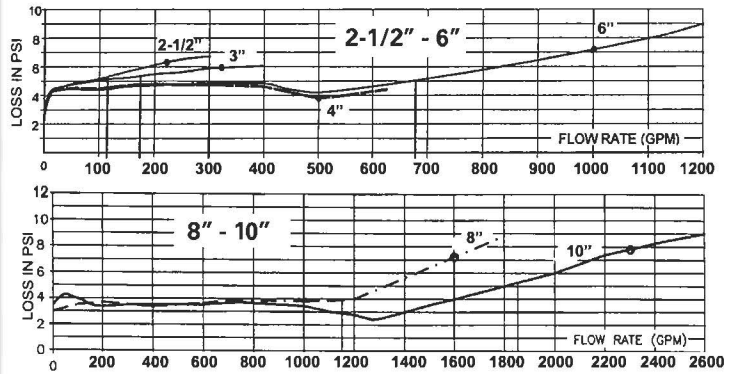
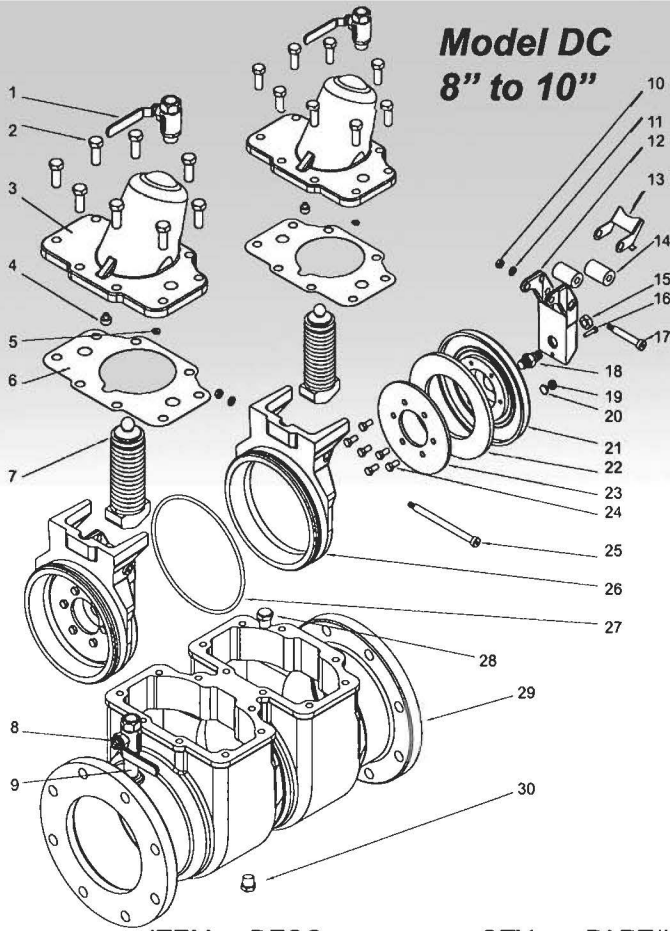


FLOW CURVES

Model DC



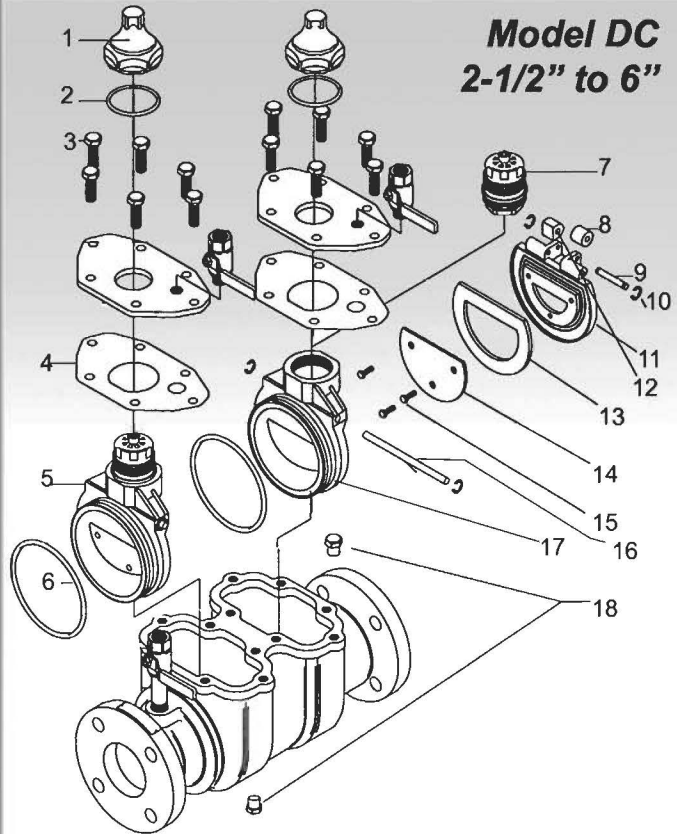
Model DC 8" to 10"



ITEM	DESC	QTY	PART#
MAJOR CHECK VALVE REPAIR KIT (6, 7, 10-27) 4S-00E-02			
RUBBER REPAIR KIT (6, 22, 27) 4S-00E-04			
MAJOR CHECK VALVE REPAIR KIT (6, 10 - 27) 4S-00E-06			
1	Testcock	2	70-804-01
2	Cover Bolt	16	B-1800-00
3	Cover	2	Q-5624-19
4	Pilot Pin	2	I-6411-06
5	Cam Bumper	2	I-6412-06
6	Gasket	2	D-3964-00
7	Spring Assembly	2	W-4373-05
8	Testcock	1	70-104-01
9	3/4" Nipple	1	K-3412-00
10	Nut	2	C-2039-00
11	Lock Washer	2	E-2276-00
12	Swing Arm	2	F-3235-05
13	Cam Positioner	2	I-6441-00
14	Cam Roller	4	I-6410-00
15	Stem Nut	2	C-2040-00
16	Compensator Bolt	2	B-2183-00
17	Roller Pin	2	B-2518-00
18	Check Stem	2	G-3980-06
19	Compensator Spring	2	A-1459-00
20	Spring Button	2	E-2497-06
21	Seat Retaining Disc	2	F-3225-05
22	Seat Disc	2	D-3961-00
23	Disc Retaining Plate	2	E-2494-00
24	Disc Retaining Screw	12	B-1754-00
25	Hinge Pin	2	B-2517-00
26	Seat	2	L-6137-05
27	Seat O-ring	2	D-3963-00
28	Body	1	Call
29	3/4" Plug	1	K-3010-00
30	1/2" Drain Plug	1	K-3008-00

REPAIR KITS & PARTS

Model DC 2-1/2" to 6"



ITEM	DESC	QTY	PART#
Major Repair Kit (2, 4, 5, 6) 4S-009-01			
Rubber Repair Kit (2, 4, 6, 12, 13) 4S-009-02			
1	Spring Cup	2	S-4877-00
2	O-Ring	2	D-3506-00
3	Cover Bolt	12	B-2083-00
4	Gasket	2	D-3505-00
5	Check Assembly	2	W-7590-05
6	O-Ring	2	D-3507-00
7	Spring Assembly	2	W-8393-00
8	Roller	2	I-5866-00
9	Roller Pin	2	I-5867-06
10	"E" Clip	4	I-3144-00
11	Seat Disc Retainer	2	G-3769-00
12	Hinge Bushing	2	D-3685-00
13	Seat Disc	2	D-3504-00
14	Disc Retaining Plate	2	E-2379-00
15	Disc Retaining Screw	6	B-1793-00
16	Hinge Pin	2	I-5868-06
17	Seat Housing	2	F-3090-00
18	Plug	2	K-3008-00