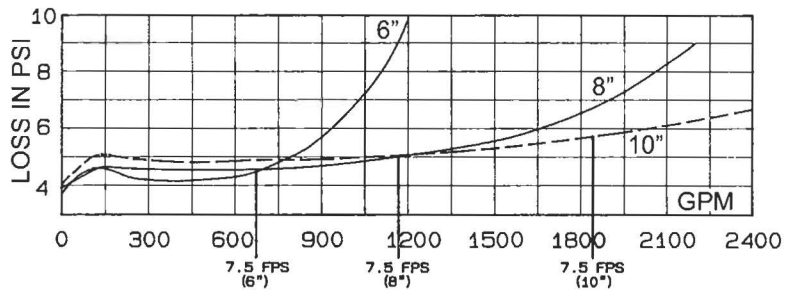


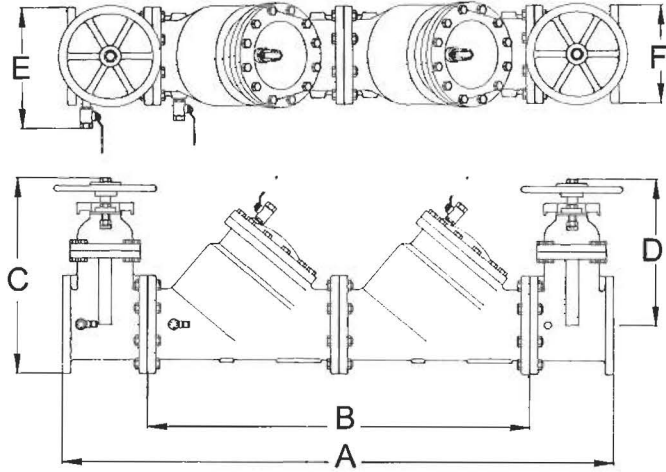
Series 40-100 (6" to 10")

FLOW CURVES

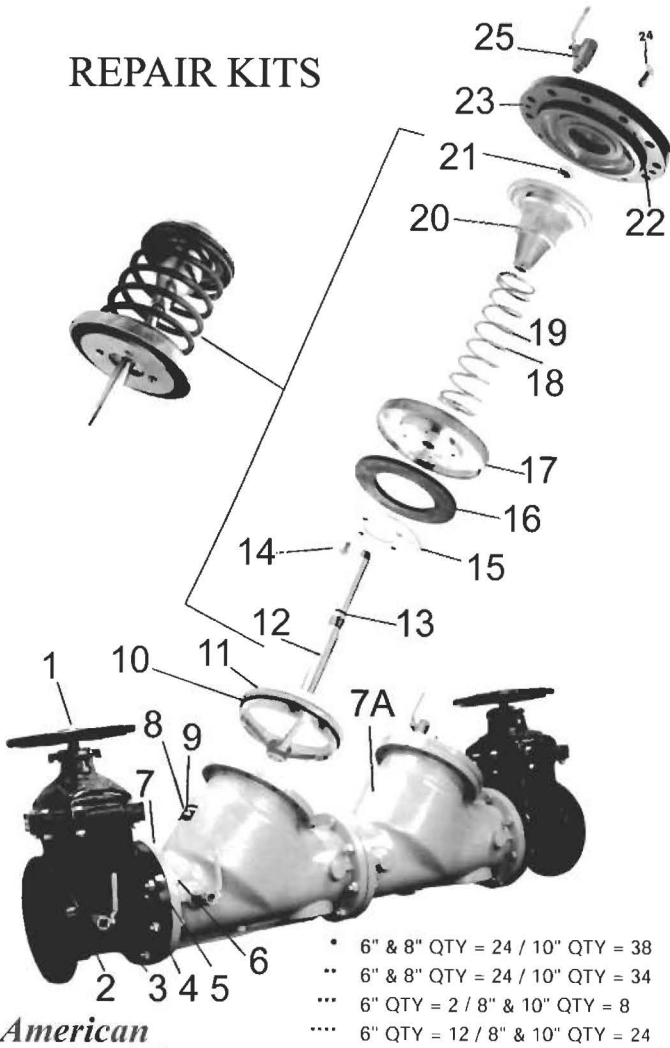
DIMENSIONS & WEIGHTS



Body Size	6"	8"	10"
A	63	75	88-1/4
B	42	52	62-1/16
C NRS	22-1/4	26-15/16	32-1/8
C OS & Y (OPEN)	35-5/8	44-1/2	56
D NRS	16-3/4	20-3/16	24-1/8
D OS & Y (OPEN)	30-1/8	37-3/4	48
E	14-5/8	16-3/4	19-1/4
F	11	13-1/2	16
Test Cocks	3/4x3/4 NPT	3/4x3/4 NPT	3/4x3/4 NPT
Net Wt. (Less Gate Valves)	389	625	1339
Net Wt. (With NRS Valves)	695	1065	2044
Net Wt. (With OS & Y Valves)	713	1120	2182
Shipping Wt. (Less Gate Valves)	487	795	1509
Shipping Wt. (w/NRS Valves)	793	1235	2214
Shipping Wt. (w/OS & Y Valves)	811	1290	2352



REPAIR KITS



- * 6" & 8" QTY = 24 / 10" QTY = 38
- ** 6" & 8" QTY = 24 / 10" QTY = 34
- *** 6" QTY = 2 / 8" & 10" QTY = 8
- **** 6" QTY = 12 / 8" & 10" QTY = 24

ITEM	DESCRIPTION	QUANTITY	PART NO.		
			6"	8"	10"
Repair Kits					
	<u>Check Valve Repair Kit</u>	40-00C-02	40-00E-02	40-00G-02	
	(12, 13, 14, 15, 16, 17, 18, 20, 21, 22)				
	<u>Seat Repair Kit</u>	40-00C-03	40-00E-03	40-00G-03	
	(10, 11, 22)				
	<u>Rubber Repair Kit</u>	40-00C-04	40-00E-04	40-00G-04	
	2 each (10, 13, 16, 22)				
Parts					
1	Shut-Off Valve (OS&Y)	2	W-6825-00	W-6826-00	W-6859-00
1	Shut-Off Valve (NRS)	2	W-6744-00	W-6827-00	W-6858-00
2	Brass Nipple	1	K-3412-40	K-3412-00	K-3412-00
3	Test Cock	1	70-104-01	70-104-01	70-104-01
4	Flange Nut	*	C-1759-00	C-1759-00	C-1793-00
5	Ring Gasket	3	D-2579-00	D-2590-00	D-2653-00
6	Flange Bolt	**	B-1829-00	B-1857-00	B-1858-00
6A	Stud	2	N/A	N/A	B-2036-00
7	Body	1	Q-4536-19	Q-4544-19	Q-4573-19
7A	Body	1	Q-4591-19	Q-4593-19	Q-4595-19
8	Nameplate	1	I-4411-00	I-4411-00	I-4411-00
9	Drive Screw	2	I-2613-00	I-2613-00	I-2613-00
10	C.V. Seat O-Ring	2	D-2576-00	D-2589-00	D-2588-00
11	C.V. Seat	2	L-4644-05	L-4653-05	L-4759-05
12	C.V. Stem	2	G-3246-00	G-3273-00	G-3305-00
13	C.V. Stem O-Ring	2	D-2578-00	D-2587-00	D-2587-00
14	Retainer Nut/Bolt	***	C-1760-00	B-1754-00	B-1754-00
15	Retainer Washer	2	E-2205-00	E-2208-00	E-2229-00
16	C.V. Seat Disc	2	D-2575-00	D-2586-00	D-2649-00
17	Seat Disc Holder	2	F-3002-05	F-3008-05	F-3019-05
18	1st Check Spring	1	A-1746-00	A-1748-00	A-1779-00
19	2nd Check Spring	1	A-1746-00	A-1748-00	A-1779-00
20	Spring Retainer	2	E-2203-05	E-2207-05	E-2228-05
21	Jam Nut	2	C-1706-00	C-1763-00	C-1763-00
22	Cap O-Ring	2	D-2577-00	D-2588-00	D-2651-00
23	C.V. Cap	2	Q-4537-19	Q-4545-19	Q-4574-19
24	Cap Bolt	****	B-1800-00	B-1690-00	B-1881-00
25	Test Cock	3	70-804-01	70-804-01	70-804-01
N/S	Seat Bolt	12	N/A	N/A	B184900

American
Backflow

Specialties www.americanbackflow.com

(800) 66-BKFLO (619) 527-2525 Fax: (619) 527-2527